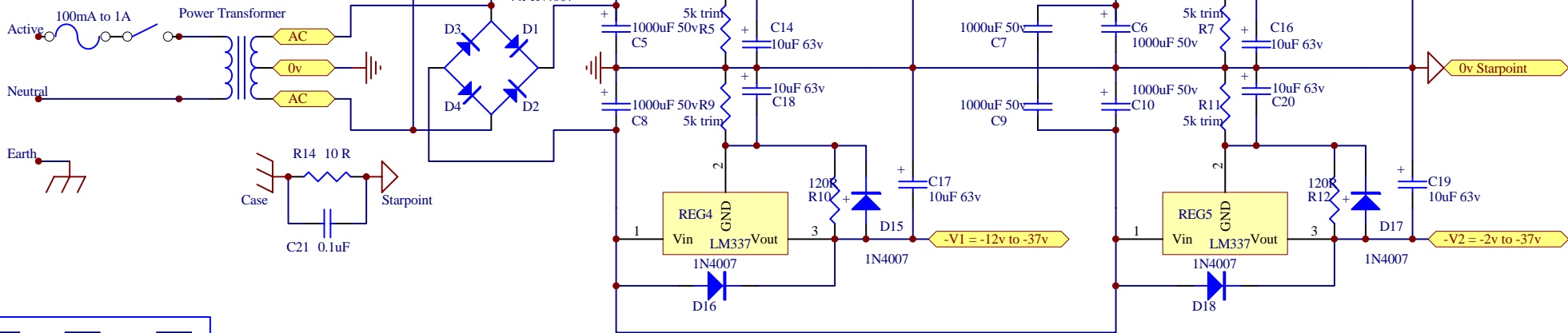


Any 1N4002 to 1N4007 can be used in place of the 1N4007

110v/240v to 15vac - 0v - 15vac for +/-15v rails set jumper to T for 48v rail  
 110v/240v to 18vac - 0v - 18vac for +/-18v rails set jumper to T for 48v rail  
 110v/240v to 22 to 25vac - 0v - 22 to 25vac for +/-24v rails set jumper to D for 48v rail  
 110v/240v to 28vac - 0v -28vac for +/-34v rails set jumper to D for 48v rail



<http://www.jlmaudio.com>

Title		
JLM POWER STATION Ver 2		
Size	Number	Revision
A4		Ver 2
Date:	25-Mar-2007	