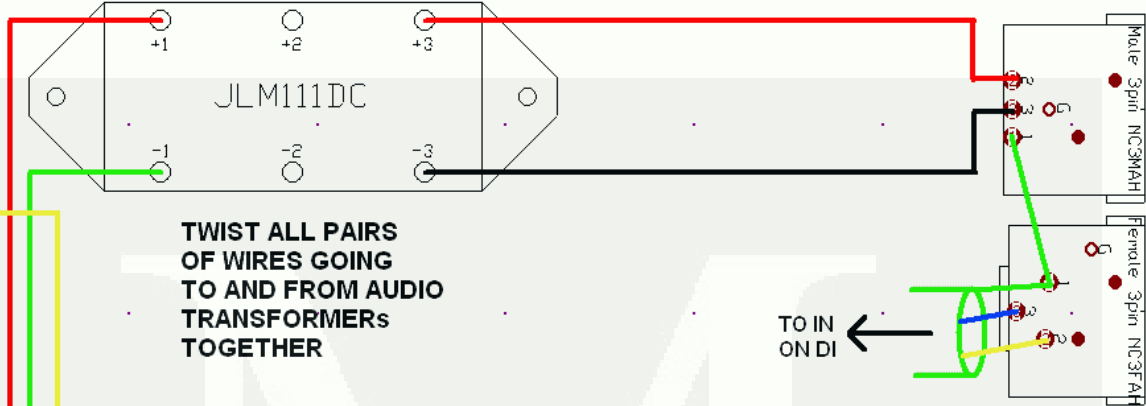
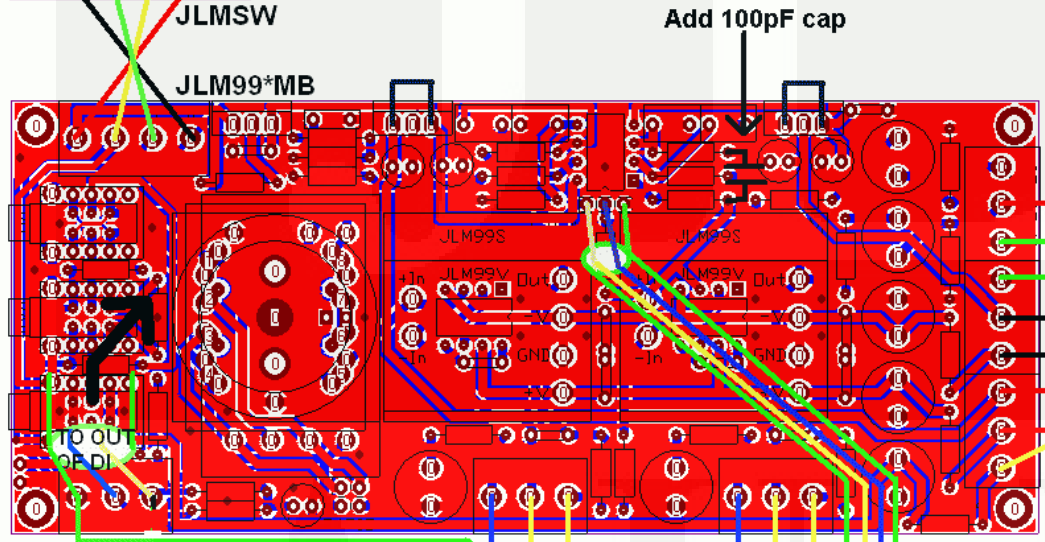
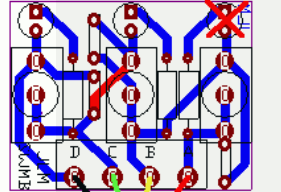


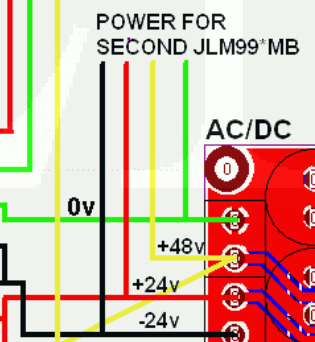
DI

SQUARE PAD IS LONG LEG OF LED DON'T FIT TOP LED ON PCB WIRE IT INSTEAD TO THE FRONT PANEL CHROME BEZEL LED



JLM DUAL 99V WIRING

ONLY ONE CHANNEL SHOWN



SETUP POWER SUPPLY VOLTAGES USING TRIM POTS FIRST BEFORE CONNECTING POWER OUTPUTS TO JLM99*MB and DI

