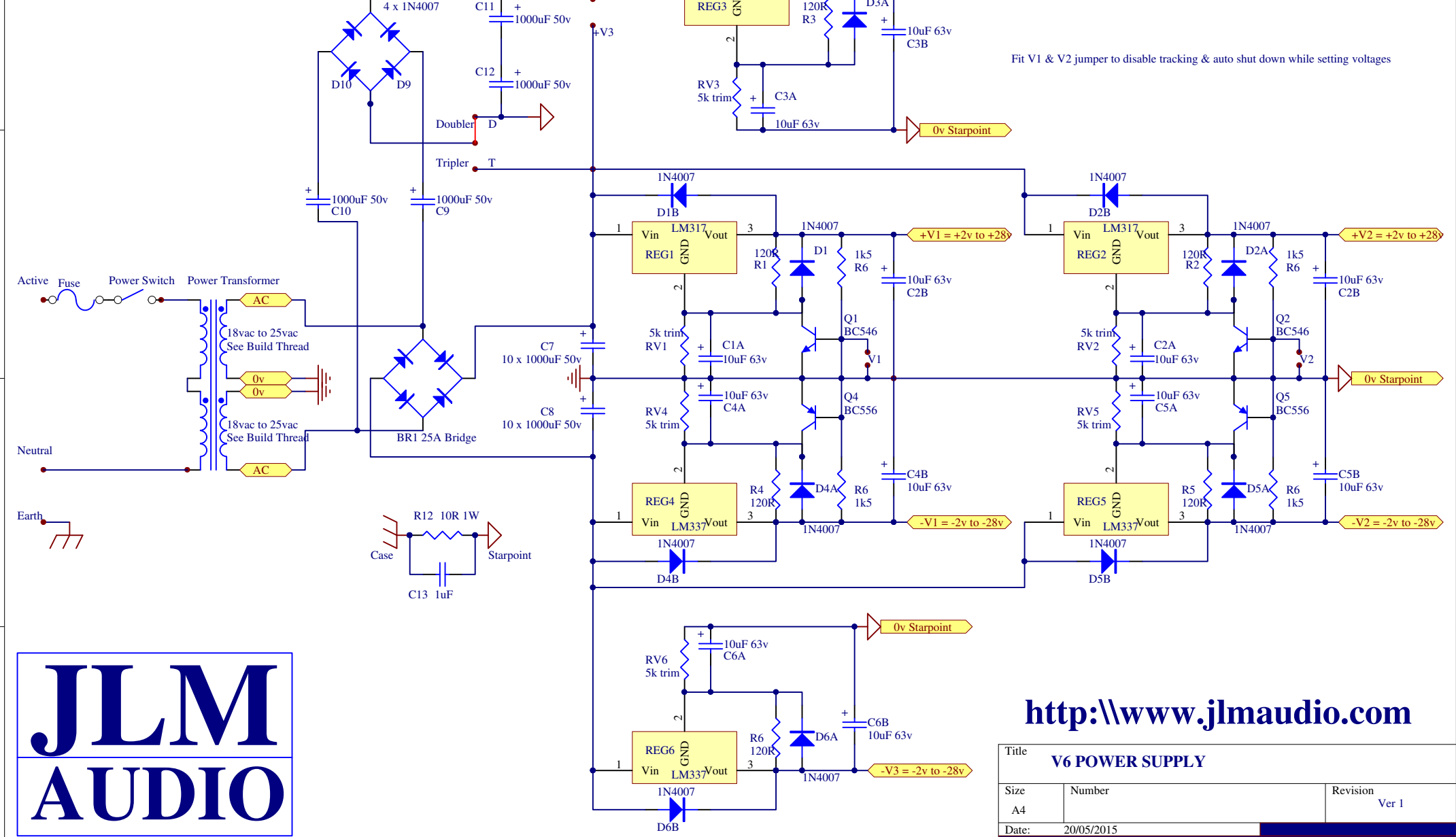


110v/240v to 22 to 25vac - 0v - 22 to 25vac for +/-24v rails set jumper to D for 48v rail
 110v/240v to 22 to 25vac - 0v - 22 to 25vac for +/-24v & +/-16v rails set jumper to D for 48v rail
 110v/240v to 18vac - 0v - 18vac for +/-18v rails set jumper to T for 48v rail
 110v/240v to 18vac - 0v - 18vac for +/-16v rails set jumper to T for 48v rail
 110v/240v to 15vac - 0v - 15vac for +/-15v rails set jumper to T for 48v rail

Any 1N4002 to 1N4007 can be used in place of the 1N4007



<http://www.jlmaudio.com>

| | | | |
|-------|------------|----------|------------------------|
| Title | | | V6 POWER SUPPLY |
| Size | Number | Revision | |
| A4 | | Ver 1 | |
| Date: | 20/05/2015 | | |