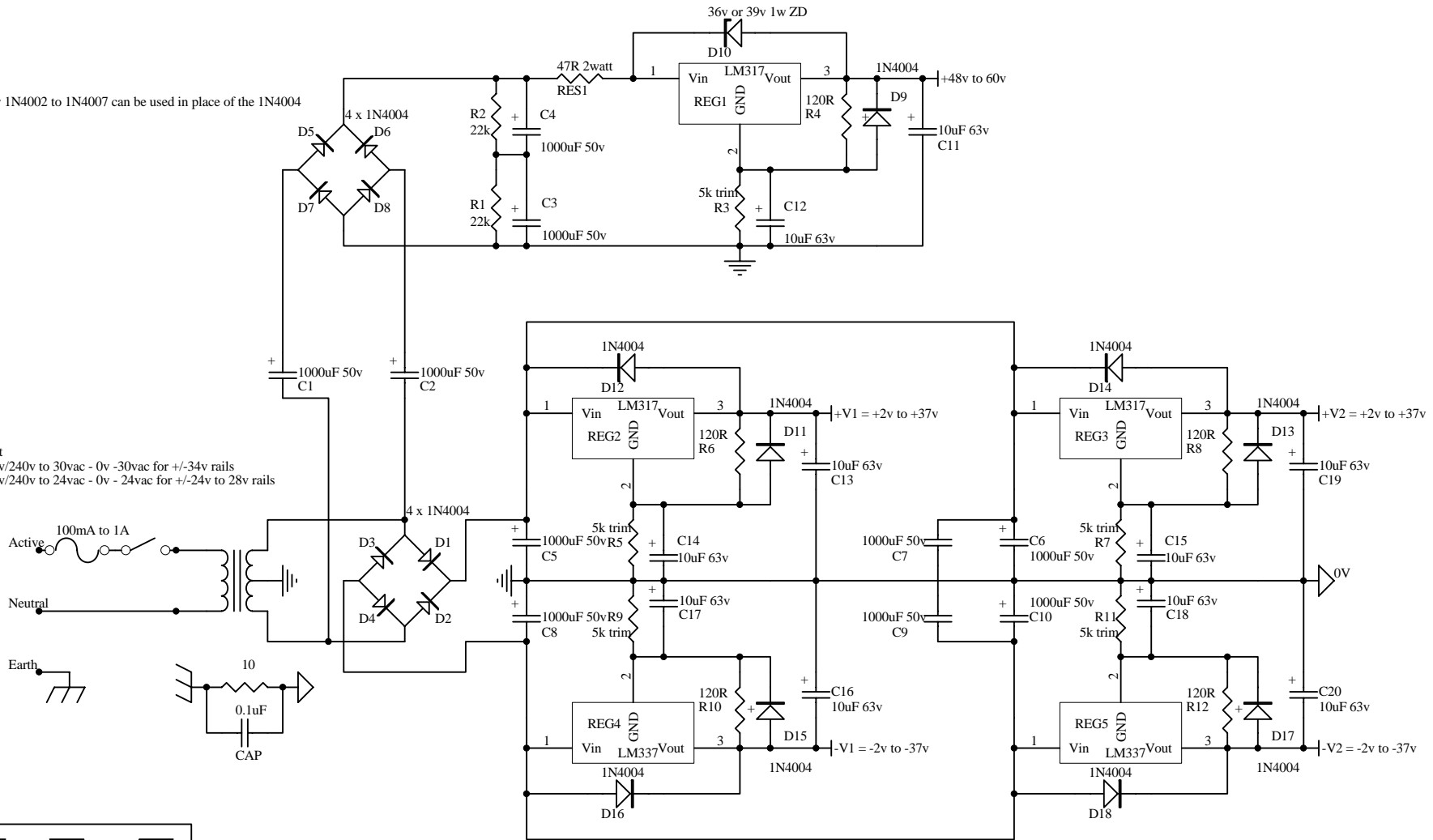


Any 1N4002 to 1N4007 can be used in place of the 1N4004

Text
110v/240v to 30vac - 0v -30vac for +/-34v rails
110v/240v to 24vac - 0v -24vac for +/-24v to 28v rails



<http://www.jlmaudio.com>

Title JLM POWER STATION PCB		
Size A4	Number	Revision A
Date: 14-Feb-2005	Sheet 1 of 1	
File: C:\Program Files\ADVSCH\Backup of Power Station PCB		