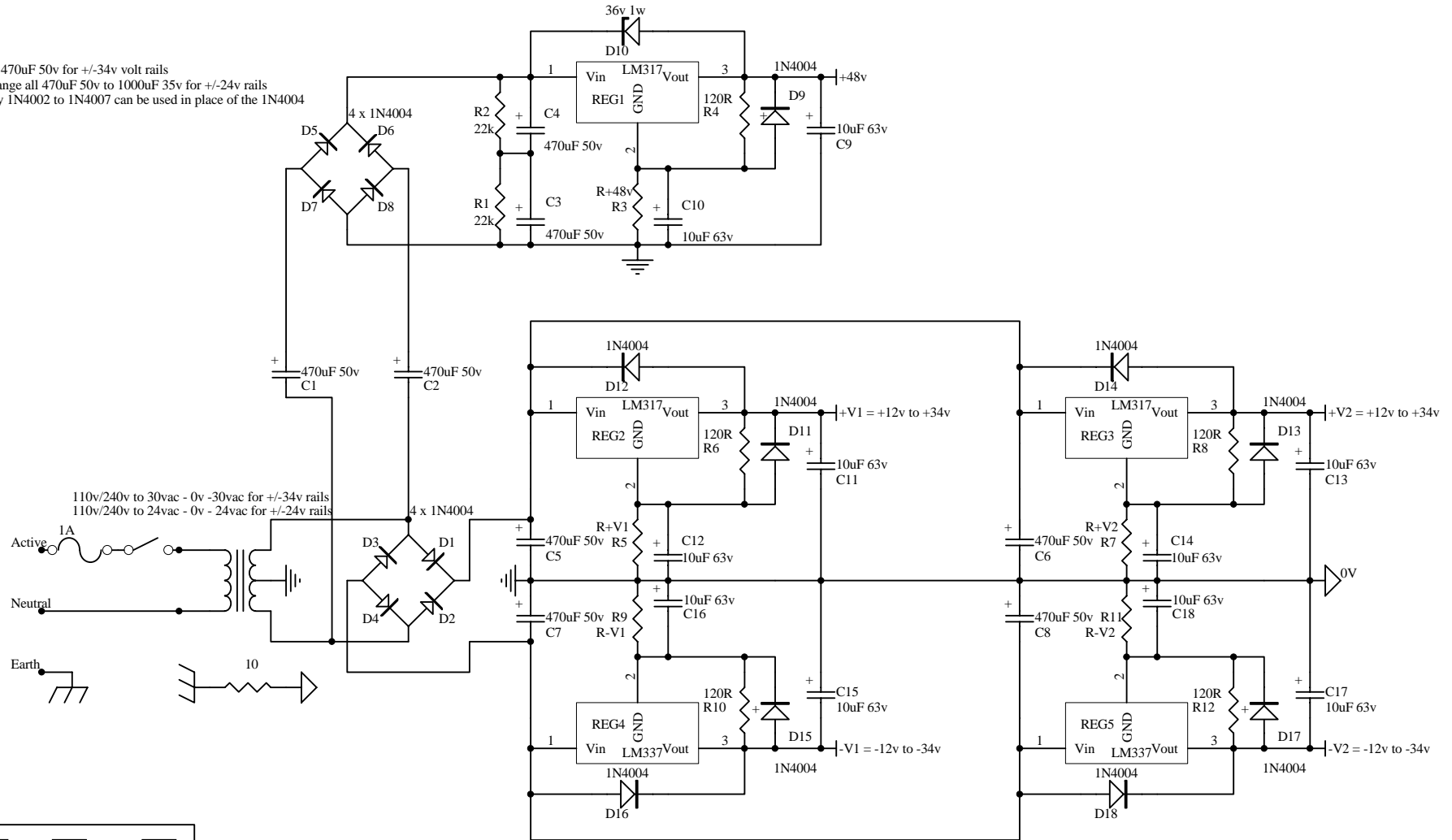


All 470uF 50v for +/-34v rails
 Change all 470uF 50v to 1000uF 35v for +/-24v rails
 Any 1N4002 to 1N4007 can be used in place of the 1N4004



<http://www.jlmaudio.com>

Title		
JLML5RPSPCB		
Size	Number	Revision
A4		A
Date:	15-Apr-2004	Sheet 1 of 1
File:	C:\PROGRA~1\ADV SCH\JLM990PS.SCH Drawn By: Joe Malone	