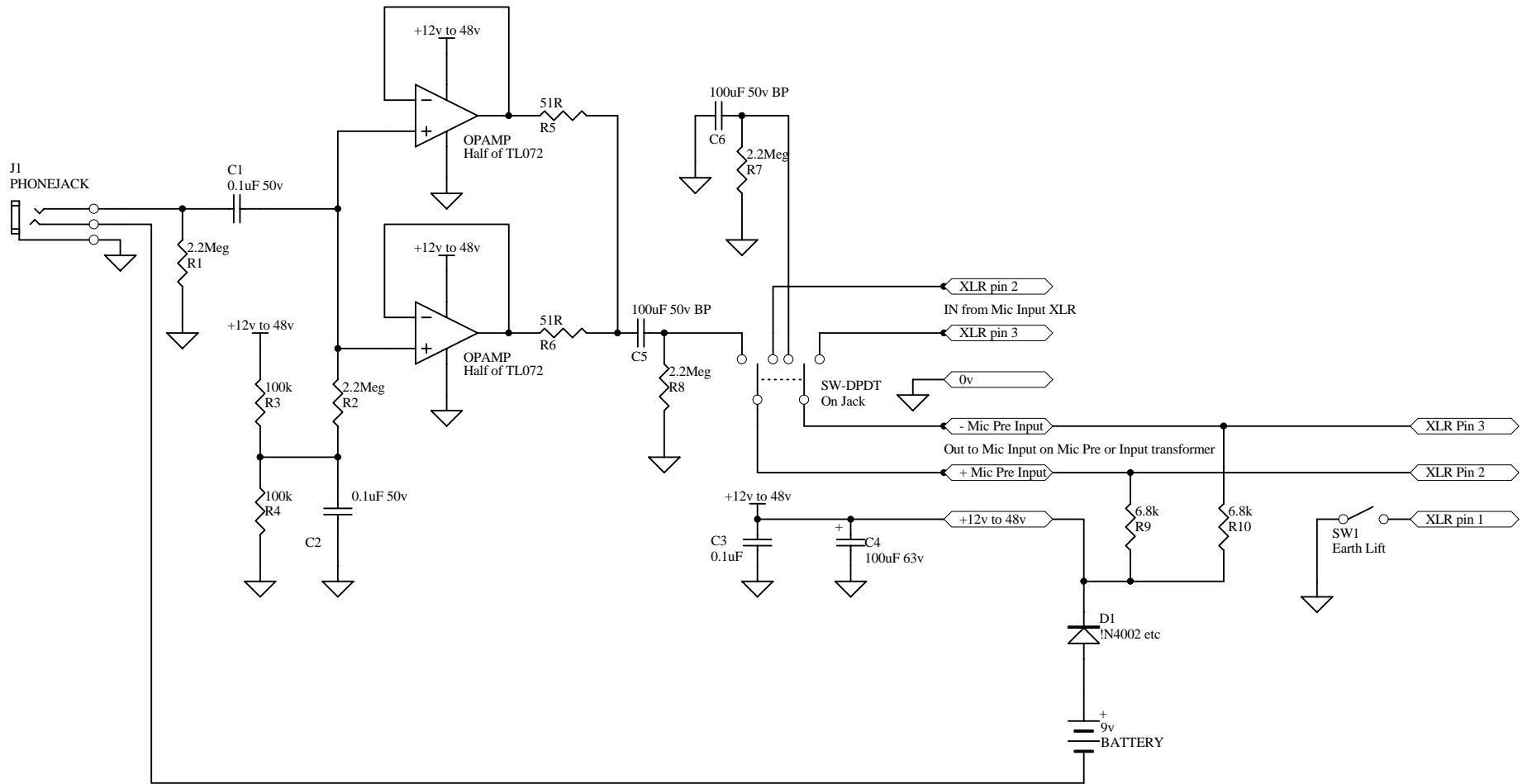


IC must be changed to TL072 to run from phantom power with the 2 x 6.8k resistors



Only add diode and 9v battery if battery power is needed
When Phantom power is applied it will automatically turn the battery off

Title		
JLM DI Kit Phantom Powered Simple Schematic		
Size	Number	Revision
A4		
Date:	28-Feb-2005	Sheet of
File:	C:\Program Files\ADVSCHEM\Previous Backups\JLM DI phantom power simple.DDB	