

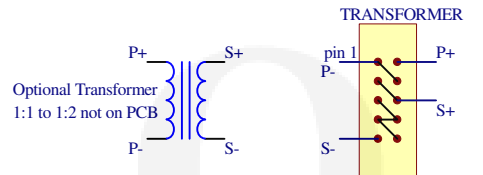
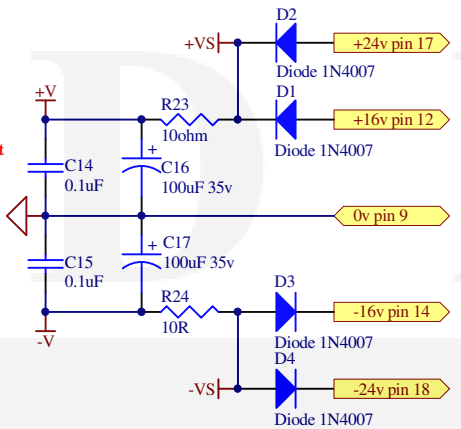
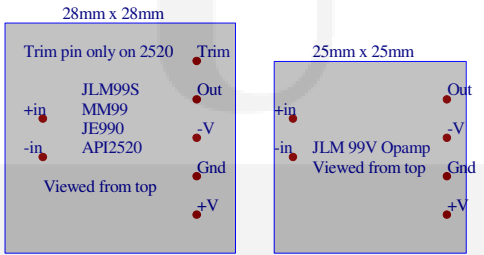
- JLMIO IDC Port**
 Pin 1 - Unbal In
 Pin 2 - 0v
 Pin 3 - Bypass Relay
 Pin 4 - +VS
 Pin 5 - Unbal Out
 Pin 6 - VCA CV
 Pin 7 - + Bal Out
 Pin 8 - -VS
 Pin 9 - 0v
 Pin 10 - Gain

IDC pin 1
JLMIO PORT

JLM111DC

BAL INPUT IDC Header can plug into
 JLM DI kit (FET or OPAMP type)
 JLM GO Between kit
 JLM GO Between PLUS kit
 JLM GO Between kit & JLM DI kit
 JLM GO Between PLUS kit & JLM DI kit
 JLM XLRIO kit

IF no Di kit fitted solder 2 sets of pads together shown by red lines on GO Between kit or GO between PLUS kit



<http://www.jlmaudio.com>

Title		
JLM Audio INX5 circuit with all parts shown.		
Size	Number	Revision
A4	1	A
Date:	3/07/2011	Sheet of 1