

RED LED mounts on 48v switch top 2 legs with Anode (long leg) on the leg closest to PCB edge.

**48v Phantom Power**

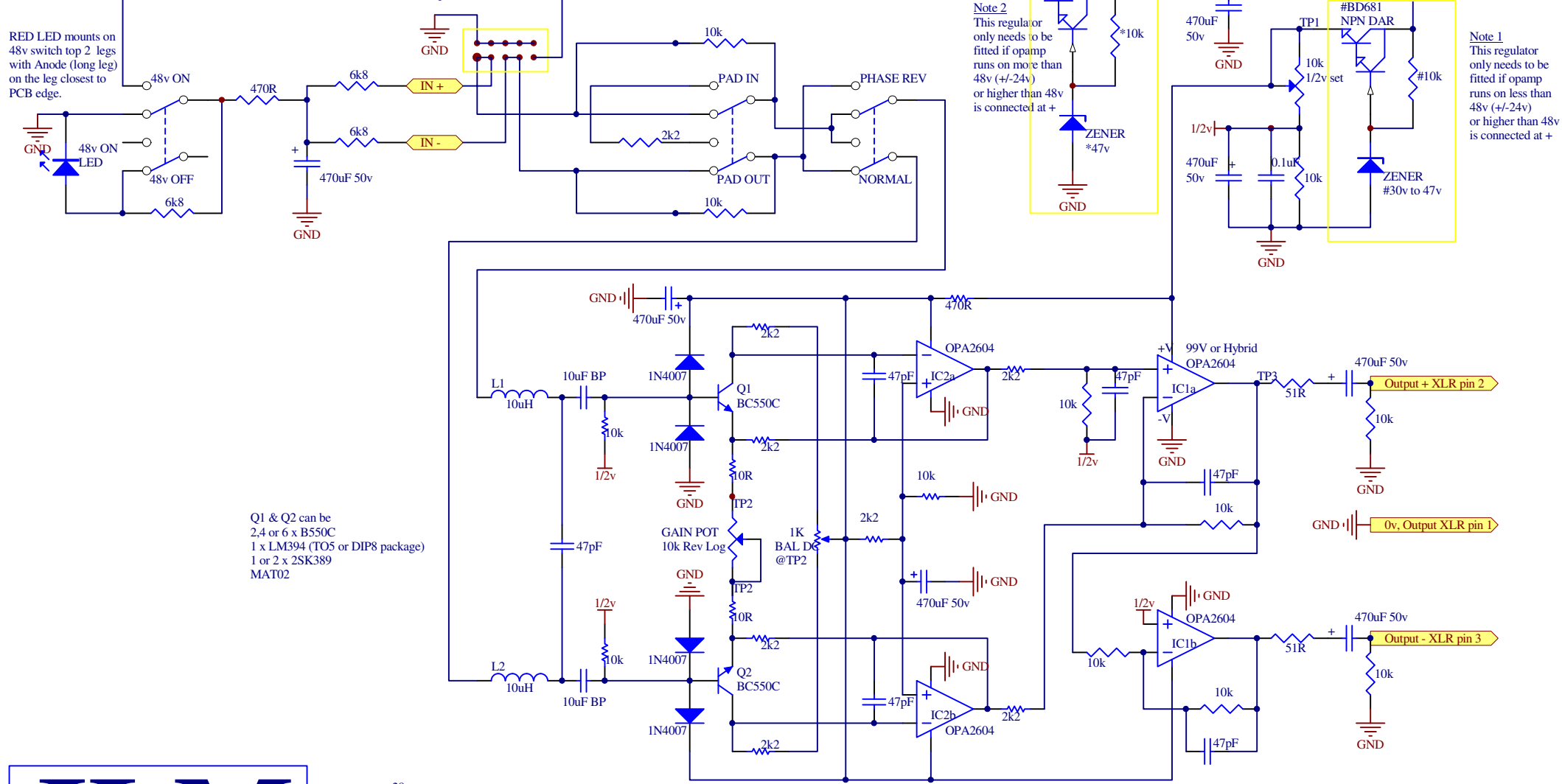
**IDC Socket for JLM DI**  
Fit 2 Jumpers when DI not used

**20dB PAD**

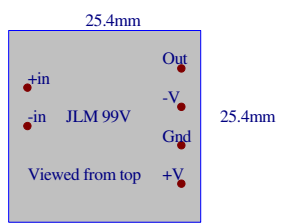
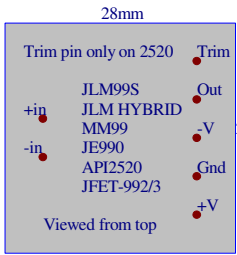
**PHASE**

Note 2  
This regulator only needs to be fitted if opamp runs on more than 48v (+/-24v) or higher than 48v is connected at +

Note 1  
This regulator only needs to be fitted if opamp runs on less than 48v (+/-24v) or higher than 48v is connected at +



Q1 & Q2 can be 2,4 or 6 x B550C  
1 x LM394 (TO5 or DIP8 package)  
1 or 2 x 2SK389  
MAT02



<http://www.jlmaudio.com>

Title		
<b>Baby Animal Neutral Mic Pre PCB</b>		
Size	Number	Revision
A4		2
Date:	27/03/2010	Sheet of 1
		Drawn By: Joe Malone