

1

2

3

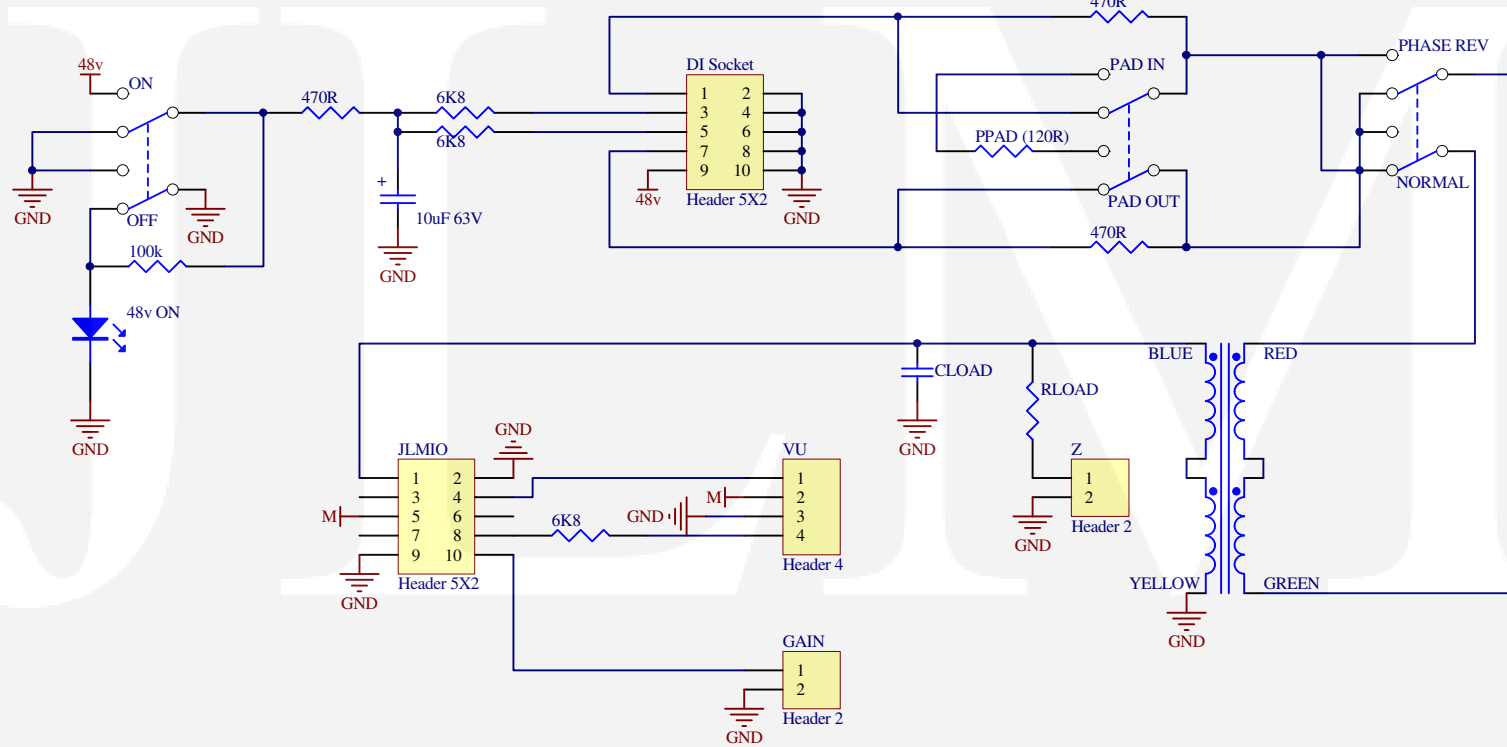
4

48V PHANTOM

IDC Socket for JLM DI
Fit 2 Jumpers when DI not used

20dB PAD

PHASE



1

2

3

4

Title		
JLM Audio Go Between 500 PCB Schematic		
Size	Number	Revision
A4		
Date:	6/09/2013	Sheet of
File:	C:\Users\...\GO Between 500 PCB.SchDoc	Drawn By: