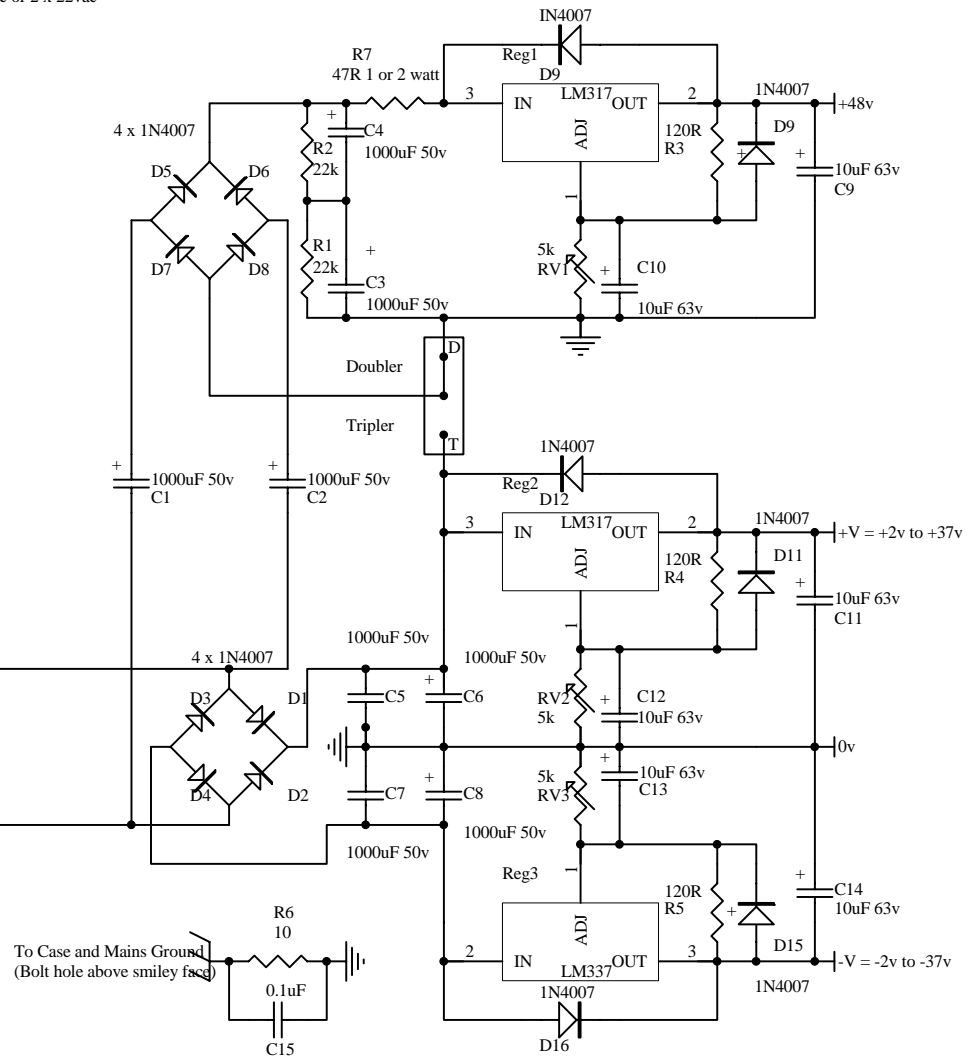
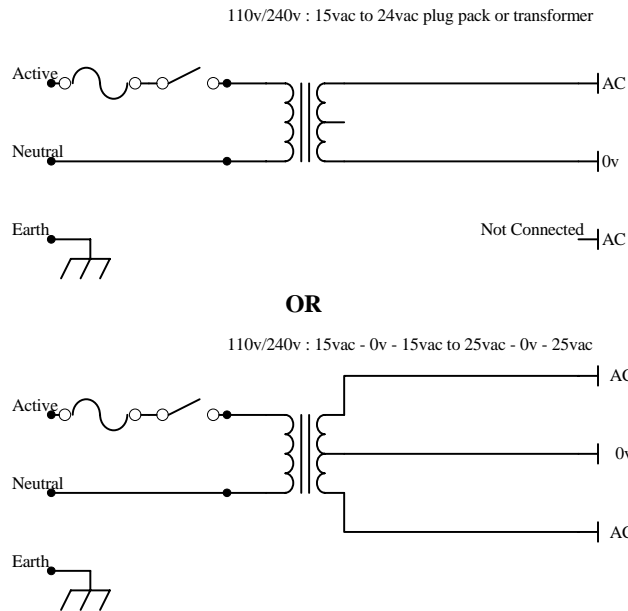


Notes

- 1 Largest diameter for C1 to C8 that will fit on the PCB is 13mm (We use 1000uF 50v 105 degree Low ESR caps that fit on the PCB that ship with all kits)
  - 2 Any 1N4002 to 1N4007 can be used in place of the 1N4007 and all 1000uF caps only need to be 35v rating with transformers up to 22vac or 2 x 22vac
  - 3 Doubler / Tripler Strap
- When using a single or dual 22vac to 25vac winding transformer strap D to the centre pad to generate the right volts for the 48v rail.  
 When using a single or dual 15vac to 18vac winding transformer strap T to the centre pad to generate the right volts for the 48v rail.
- 4 Easiest way to make sure you have enough AC volts is to use a power transformer whose secondary AC volts = the DC volts you need



<http://www.jlmaudio.com>

Title		
JLMAC/DC.PCB Ver 2 with Doubler / Tripler Jumper		
Size	Number	Revision
A4		A
Date:	22-Jul-2006	Sheet of 1
File:	H:\Documents and Settings\Hosef\Desktop\JLM Audio\JLM Schematics\BA7B64~1.DDB	