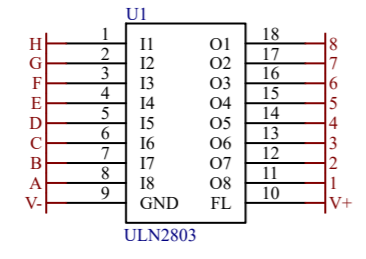
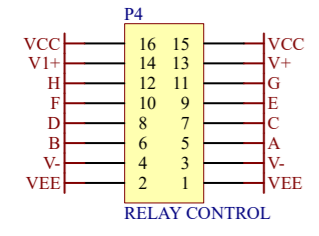
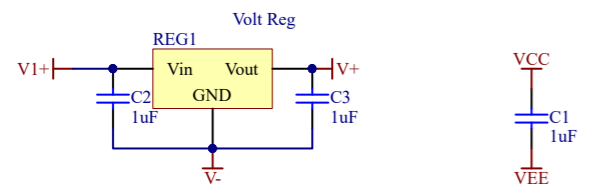
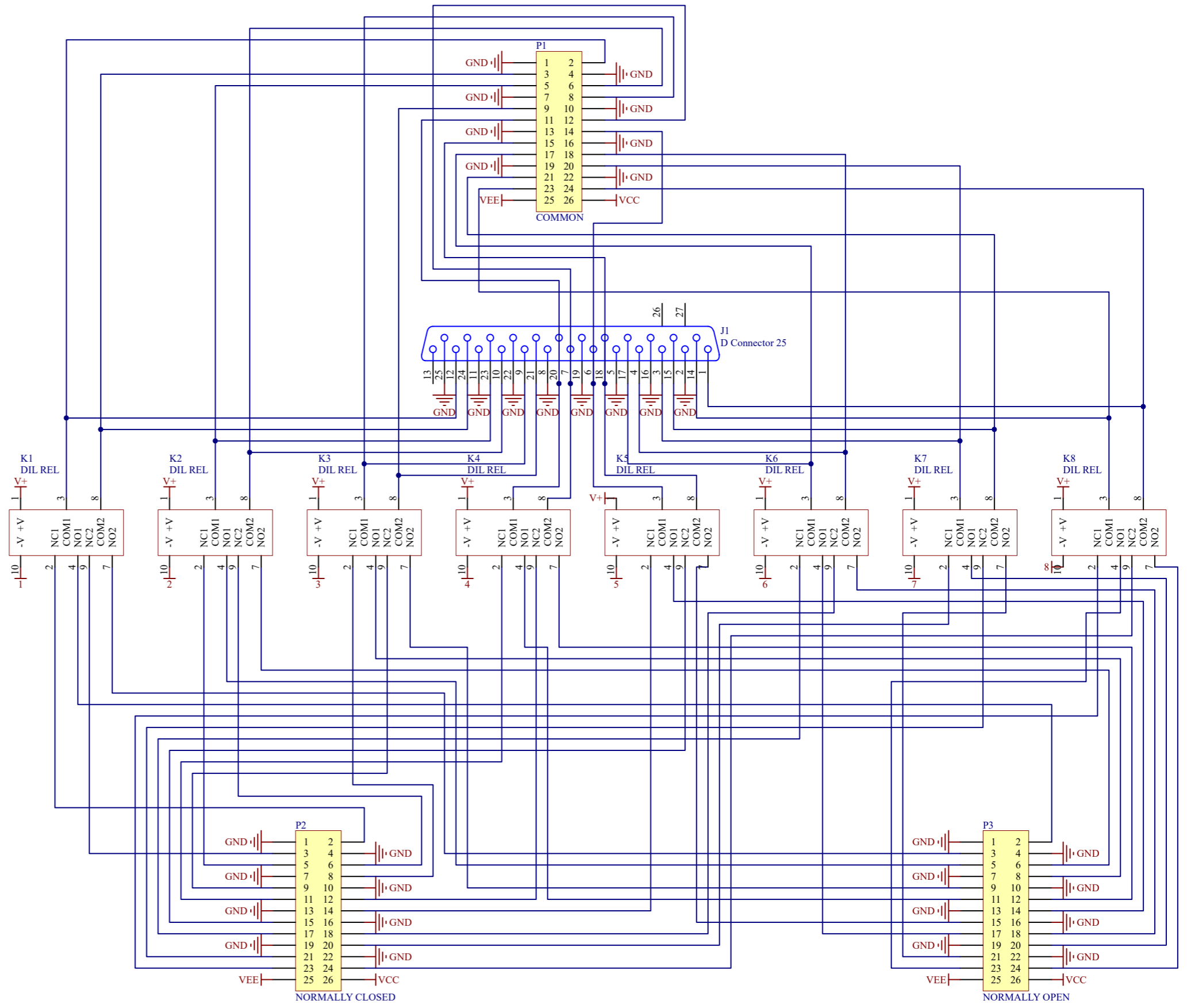


Changes reversed VEE and VCC on pin 25 & 26
 Added relay rail reg and V- link



A = CHANNEL 1
 B = CHANNEL 2
 C = CHANNEL 3
 D = CHANNEL 4
 E = CHANNEL 5
 F = CHANNEL 6
 G = CHANNEL 7
 H = CHANNEL 8



WWW.JLMAUDIO.COM

Title		
8 CHANNEL RELAY SWITCH ver 2		
Size	Number	Revision
A3		2
Date:	5/10/2018	Sheet of
		chDown By: Joe Malone